



## BoonDocker Bottle Installation Instructions

### I. Bottle Positioning

With nitrous in the bottle, both nitrous liquid and nitrous gas are present under high pressure (760psi at 70 deg F). Due to gravity and acceleration forces, the liquid portion of the nitrous will be at the bottom and rearward parts of the bottle. For this nitrous system to work properly, it is important that nitrous liquid be drawn from the bottle. Note: nitrous vapor will cause a significant decrease in performance.

A siphon tube can be used inside the bottle, much like a pickup tube inside an aerosol can. With the bottle in an upright position, this tube will allow liquid to be drawn from the bottom of the bottle. If the bottle can be mounted in an inverted position with the valve pointed down, the liquid can be picked up directly by the valve and a siphon tube is not required.

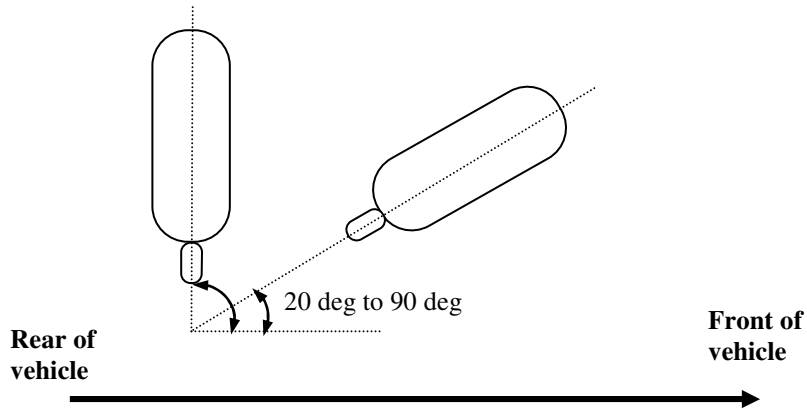
Note: Our smaller size bottles (9oz, 12oz, 16oz, and 20oz) do not allow a siphon tube to be installed.

If a siphon tube is included with the kit, it is attached to the bottom of the valve by a brass compression fitting. If the siphon tube is not needed, remove the tube and the brass fitting before installing the valve on the bottle. The valve requires a 1" size wrench to install.



## II. Bottle Mounting Positions Without a Siphon Tube

The bottle must be mounted so the valve is pointed down and towards the back of the vehicle as shown below.



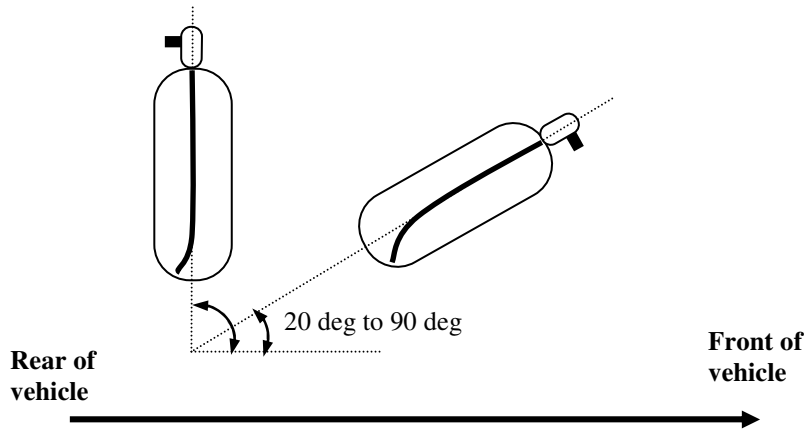
Example Pictures of bottles mounted Without a Siphon tube:



### III. Bottle Mounting Positions With a Siphon Tube

The bottle must be mounted so the valve is pointed up and towards the front of the vehicle as shown below.

The siphon tube should be bent slightly so that it can pick up from the bottom rear portion of the bottle as shown in the drawings below. When bending the siphon tube it is best to orient the bend so it points towards the hose fitting on the valve.



Example Pictures of bottles mounted With a Siphon tube:

